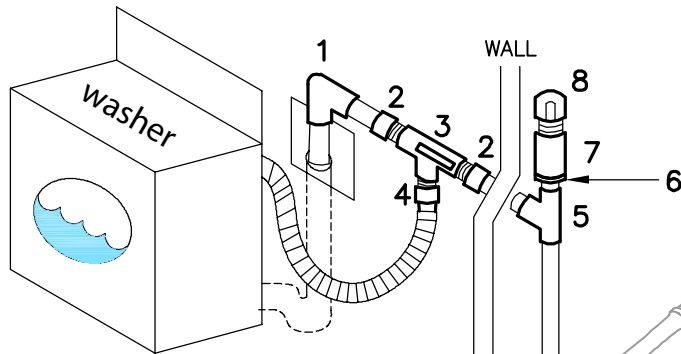


# Laundry to Landscape Greywater System Kit

\*barbed fittings\*

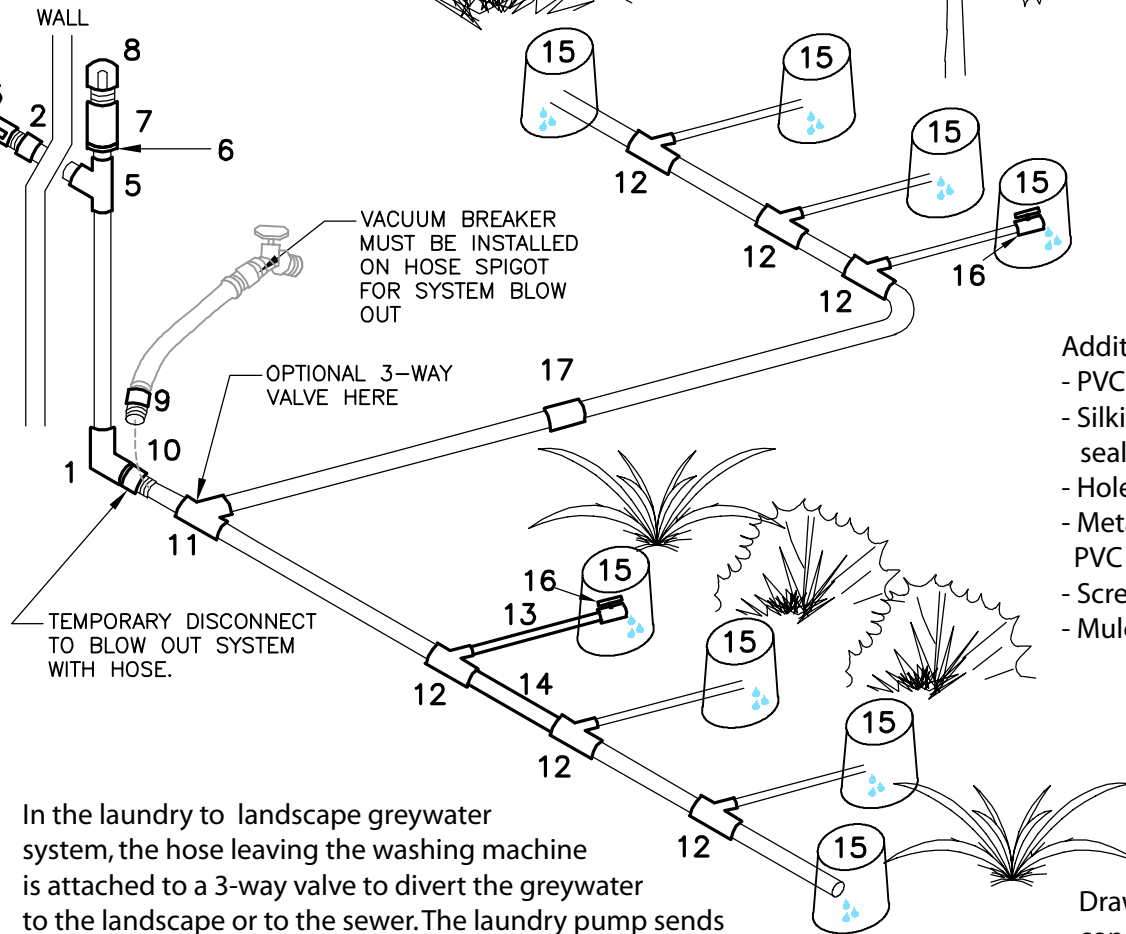


Click to buy!!

- (1) 4- PVC 1" 90 Elbow
- (2) 2- PVC 1" Male Adapter (S x MPT)
- (3) 1- Brass 1" 3-way valve
- (4) 1- Barbed 1" Male Adapter (MPT)
- (5) 1- PVC 1" Tee
- (6) 1- PVC 1.5" x 1" Reducing Bushing (SxS)
- (7) 1- PVC 1.5" Female Adapter (FPT x Slip)
- (8) 1- Auto-vent or Air Admittance Valve 1.5"
- (9) 1- Barbed 1" Female Hose Thread Adaptor
- (10) 1- Barbed 1" Adapter (BxS)
- (11) 1- Barbed 1" Tee
- (12) 6- Barbed 1" x 1/2" Reducing Tee
- (13) 10 ft- Poly 1/2" Tubing
- (14) 50 ft- Poly 1" Tubing
- (15) 8- 7" round valve box
- (16) 2- Green Back Valve Barbed 1/2"
- (17) 1- Barbed 1" Coupling

Included in kit but not shown:  
 20- U-shaped wire hold-downs (stakes)  
 1- PVC Cement - Gorilla 4 ounce  
 1- Teflon tape 1/2"

[www.cleanwatercomponents.com](http://www.cleanwatercomponents.com)



In the laundry to landscape greywater system, the hose leaving the washing machine is attached to a 3-way valve to divert the greywater to the landscape or to the sewer. The laundry pump sends greywater to valve box outlets in the landscape where adjacent plants are watered. This system is low cost, easy to install, and gives great flexibility for irrigation. In most situations this is the number one place to start when choosing a greywater system! Read more here.

- Additional items needed:
- PVC pipe 1"- variable length
  - Silkiflex adhesive sealant for sealing hole in wall
  - Holesaw for 1" pipe
  - Metal or plastic strap to secure PVC pipe
  - Screws for strap
  - Mulch

Drawing not to scale. This is a conceptual drawing only and not to be used for construction